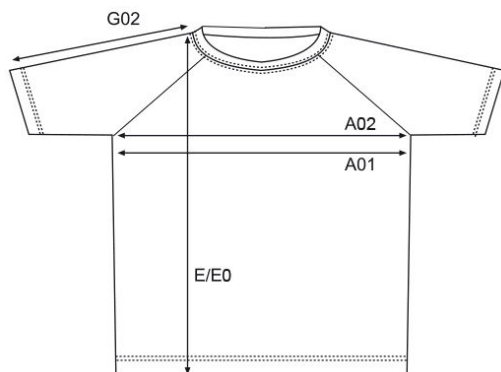


1060

Men's Raglan-T



measurement table (cm)

	XS	S	M	L	XL	XXL
A01	44	47	50	53	56	59
E	66	68	70	72	74	76
G02	32	34	36	38	40	42

A01 1/2 CHEST

E BODY LENGTH

G02 SLEEVE LENGTH



product description

Raglan T-shirt, single jersey, 100 % cotton, 180 g/m², XS-XXL.

material

100 % cotton

weight

180 g/m²

sizes

M-XXL

care instructions

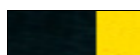


packaging units

Unit = 5 pieces.

Carton = 100 pieces.

colours

WB/white-black
11-0601/19-4205 TWR/white-red
11-0601/19-1663 TWN/white-navy
11-0601/19-4025 T90/black-white
19-4205/11-0601 T9C/black-charco
19-4205/18-0306 T9G/black-gold
19-4205/13-0858 TBR/black-red
19-4205/19-1663 T

Sizes and weights + /- 5%. Subject to amendment.



CORPORATE FASHION SINCE 1989