

REFERENCE : KI0403

SIZES : U

COMPOSITION :

Main fabric : Polyester oxford 600D PVC backing 100% polyester

Lining : Polyester 210D PU backing - 75 As lining for back panel and flap. 100%polyester

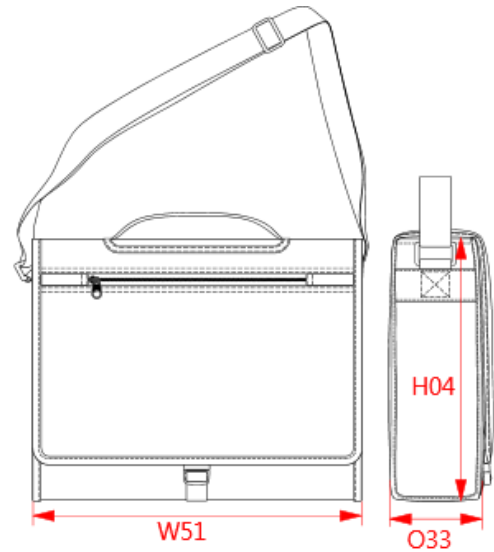
Padding : special PAD for shoulder & shoulder straps of backpacks Thickness 4mm. On inside of the handle.

TECHNICAL DETAIL :

PVC backing

ARTICLE WEIGHT :

350 gr/pc



DESCRIPTION	
Français : Porte document	
English : Shoulder belt document bag	
Nederlands : Shoulder belt document bag	
Deutsch : Schulter-Dokumententasche	
Español : Carpeta porta documentos	
Italiano : Cartella porta documenti	
Português : Mala porta documentos	

COLORS	PANTONE SERIGRAPHIE
Black	Black
Corde	402C
Slate grey	424C
Red	1795C

MEASUREMENT							
Description	U						
W51 Total width	38						
H04 Hauteur coté / Side length	31						
O33 Deep of bottom part	10						

PACKING	
Box	30 pcs / box U => L:43cm W:41cm H:41cm GW:11,4kg NW:10,4kg