

REFERENCE : KI0427

SIZES : U

COMPOSITION :

: Polyester twill PVC backing · 470 100% Polyester

Main fabric : Polyester oxford 600D PVC backing As contrast material on bottom part of front/back/side panels + bottom panel. 100%polyester

Material 3 : PU quality On bottom part of shoulder pad. 100% polyurethane

Lining : Polyester 210D PU backing - 75 As inside lining. 100% polyester

Lining : Polyester fleece - 150 For small pocket on top seam. 100%polyester

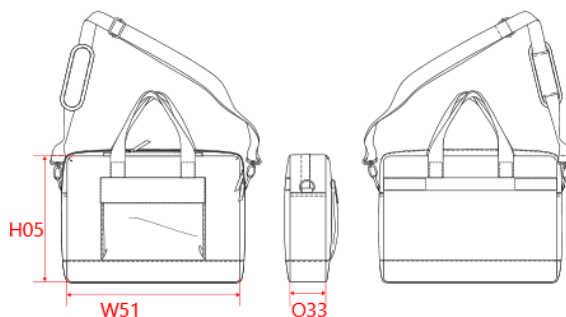
Fabric 1 : Synthetic fabric - Polyester with PU coating For special puller zips of main opening + top pocket. 100% polyester - Polyurethane coating

TECHNICAL DETAIL :

PVC backing

ARTICLE WEIGHT :

660 gr/pc



DESCRIPTION	
Français :	Sac porte ordinateur
English :	Laptop bag
Nederlands :	Laptoptas
Deutsch :	Laptop-Tasche
Español :	Bolsa para ordenador
Italiano :	Borsa porta computer
Português :	Mala para computador

COLORS	PANTONE SERIGRAPHIE
Black / Black	Black / Black
Grey twill / Black	-

MEASUREMENT	
Description	U
H05 Hauteur totale / Total height	30
W51 Total width	40
O33 Deep of bottom part	10

PACKING	
Box	15 pcs / box Size => L: 52cm W: 38cm H: 55cm GW: 11,2Kg NW: 10,2Kg