

REFERENCE : KI0353

SIZES : U

COMPOSITION :

Main fabric : Jute PU backing - 330 For bag 100%jute

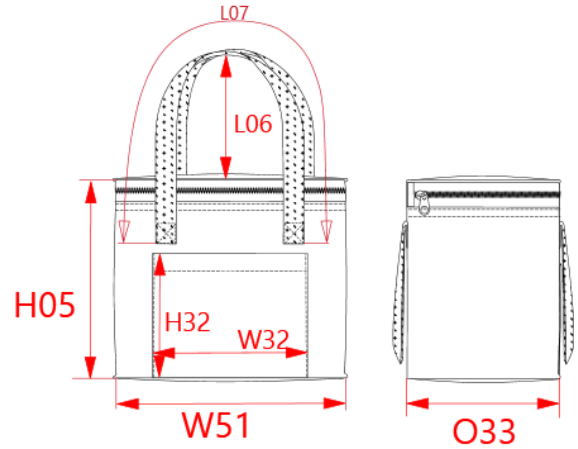
Main fabric : Cotton canvas - 130 For front pouch 100%cotton

Lining 1 : EPA foam High density insulating internal foam 100% EPA

Lining 2 : PEVA Aluminium lining on inside, special for cooler bags. 100%polyethylene vinyl acetate

ARTICLE WEIGHT :

245 gr/pc



DESCRIPTION	
Français : Sac isotherme en jute - modèle moyen	
English : Jute cool bag- medium size	
Nederlands : Koeltas van jute - middelgroot model	
Deutsch : Mittelgroße Kühltasche aus Jute	
Español : Bolsa isotérmica de yute - modelo mediano	
Italiano : Borsa isotermica in iuta - modello medio	
Português : Saco isotérmico em juta - modelo médio	

COLORS	PANTONE SERIGRAPHIE
Natural	7534C

MEASUREMENT	
Description	U
H05 Hauteur totale / Total height	25
W51 Total width	28
L07 Light of shoulder handles	61
H32 Hauteur poche devant / Front pocket height	18
W32 Largeur poche devant / Front pocket width	20
L06 Light of top handle	22
O33 Deep of bottom part	17

PACKING	
Box	40 pcs / box U => L:62cm W:50cm H:55cm GW:12.88kg NW:10.40kg