

REFERENCE : KI0288

SIZES : U

COMPOSITION :

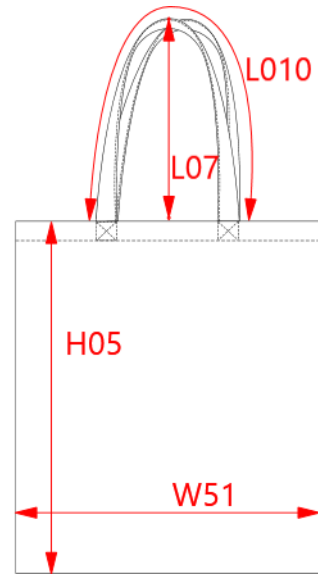
Fabric 1 : Organic cotton woven - 130 OCS100 certified 100% organic cotton

TECHNICAL DETAIL :

OCS certified

ARTICLE WEIGHT :

70 gr/pc



DESCRIPTION								COLORS		PANTONE SERIGRAPHIE	
Français : Sac shopping en coton biologique								Black		Black	
English : Organic cotton shopping bag								Natural		7534C	
Nederlands : Shopper van biologisch katoen								Metal grey		409C	
Deutsch : Shoppingtasche aus Bio-Baumwollcanvas								Ice mint		573C	
Español : Bolsa de compras algodón orgánico								Navy blue		433C	
Italiano : Shopper in cotone biologico								Hibiscus red		1815C	
Português : Saco de compras em algodão biológico								Curcuma		146C	
MEASUREMENT											
Description		U									
H05 Hauteur totale / Total height		42									
W51 Total width		38									
L07 Height of shoulder handles		32									
L010 Longueur bande épaule / Total length of handle		68									
PACKING											
Box		200 pcs / box U =>L:45cm W:38cm H:35cm GW:13,8kg NW:12,6kg									